

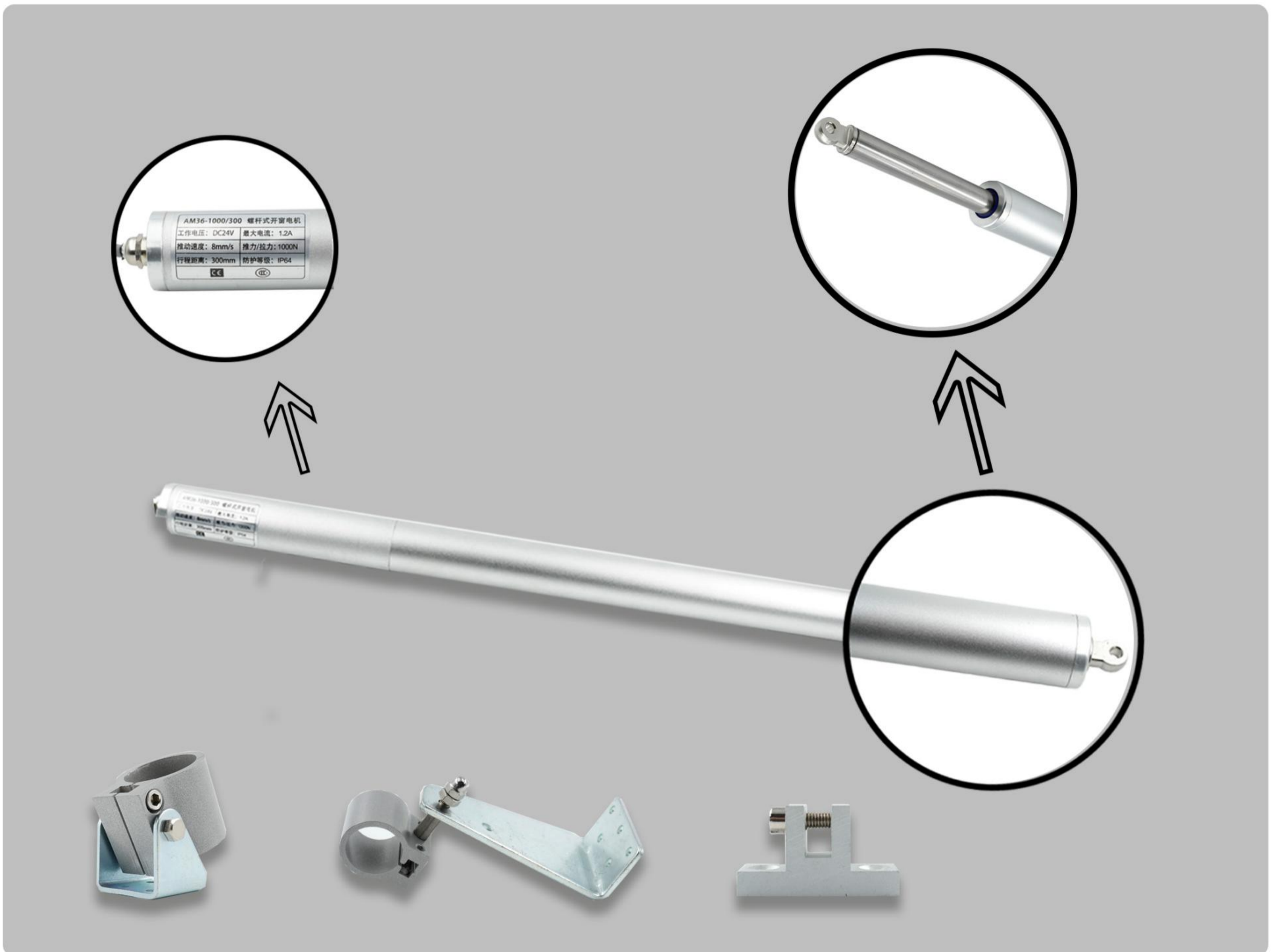
Smart Window Control System



Art. Number : 16044 (AM36)
16045 (AM50&AM65)

AM36

ROD TYPE LINEAR MOTOR



Technical Parameters

Voltage : 24VDC

Cut-off Current: 1A-1.3A

Push Force: 150N-1200N

Pull Force : 150N-1200N

Stroke : 100mm-1000mm

Speed: 8mm/s, 10mm/s

Protection Class: IP65

- Wide Voltage Supply
- Obstacle Protection
- Build-in Receiver
- Waterproof

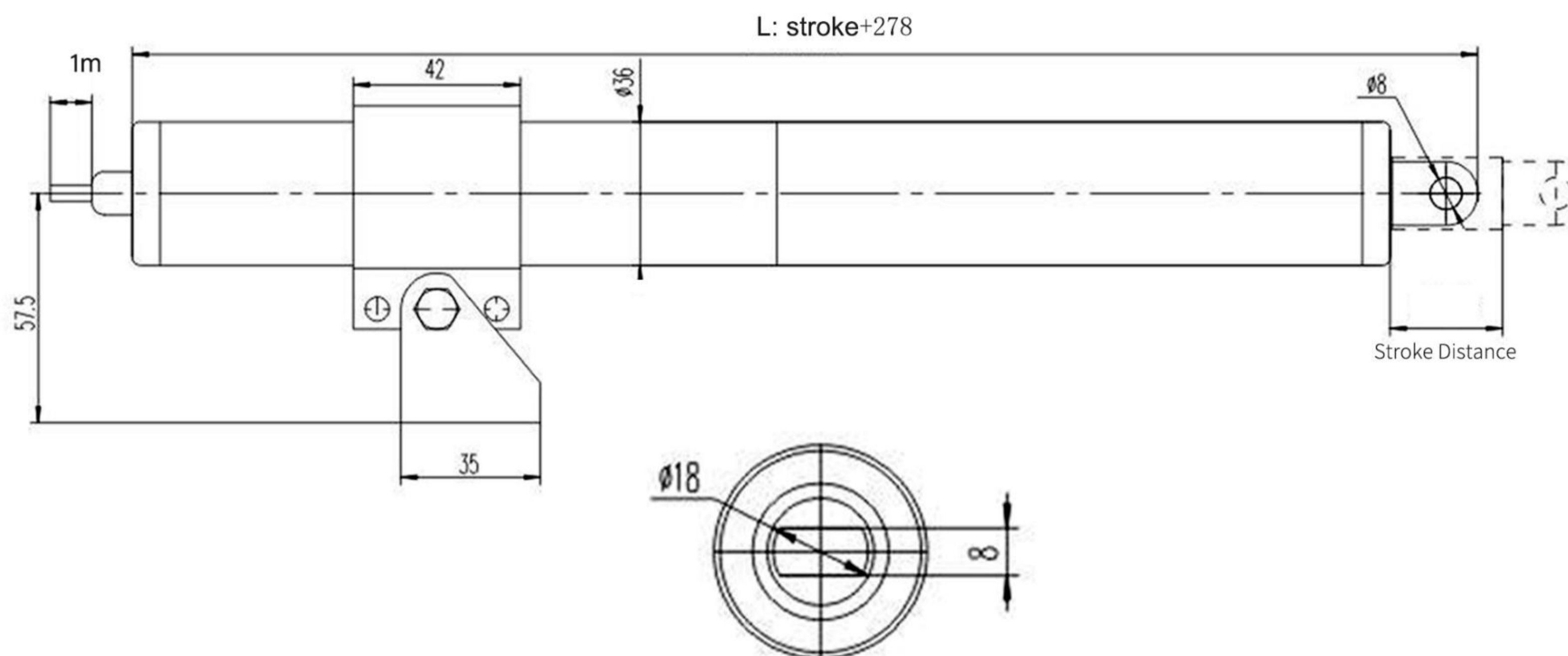
Attention:

*24VDC power supply only.

AM36

ROD TYPE LINEAR MOTOR

Motor Dimensions

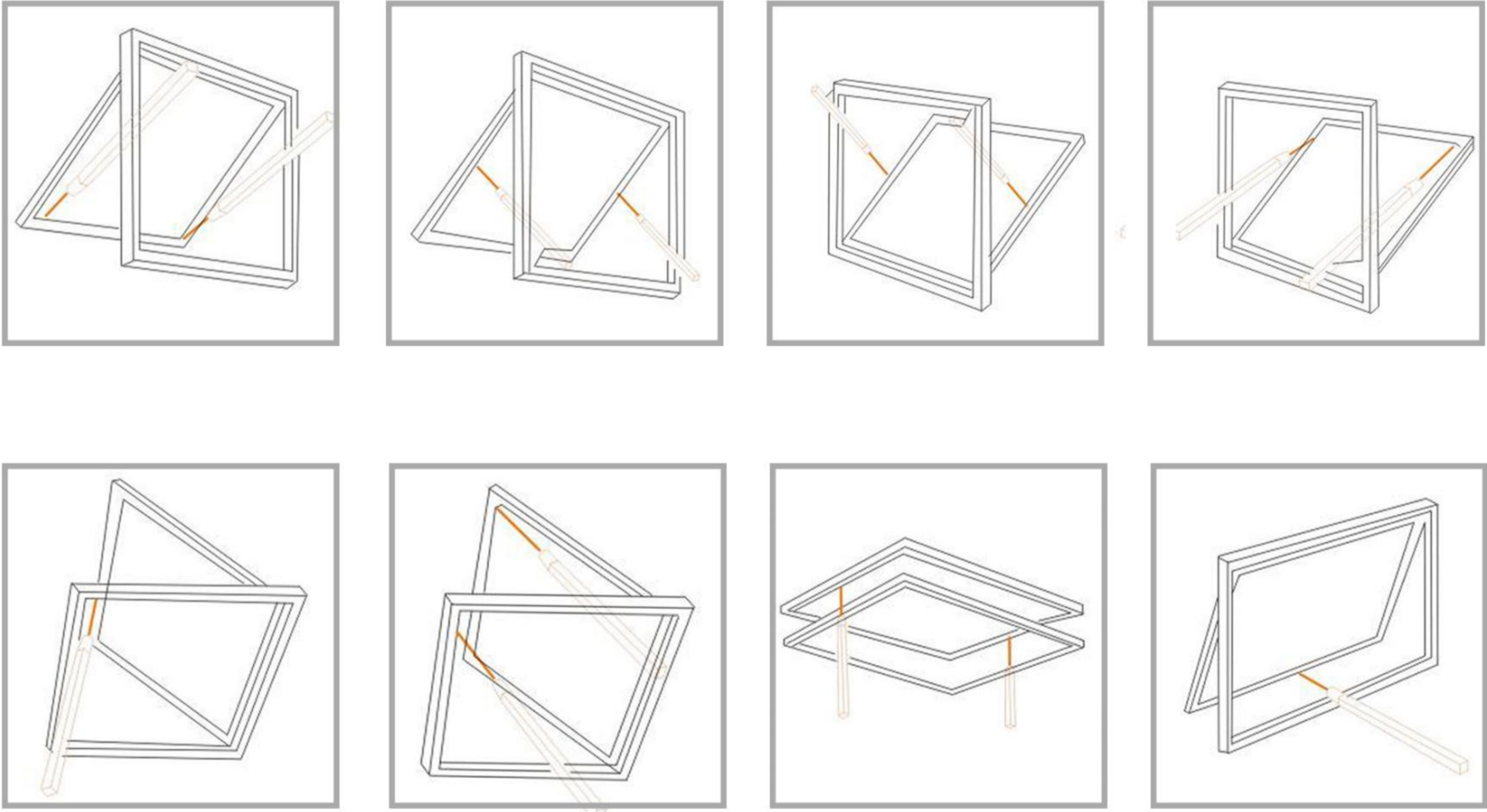


Product Features

- *When opening the window, the rod will go out and push the window to open.
- *When closing the window, the rod will come back into the motor.
- *Beautiful and simple shape design.
- *Smooth and push-force strong output.
- *Multiple push-force options.
- *Multiple stroke dimensions, maximum to 1000MM.
- *The rod is made of high-quality stainless steel.
- *This motor is a heavy type, and suitable for large or heavy windows. This is the best choice for smoking windows of high building, over 30,000 times for pushing and pulling test.
- *Suitable for upper hanging windows, lower hanging windows, middle hanging windows, dormers, etc. with overload protection.

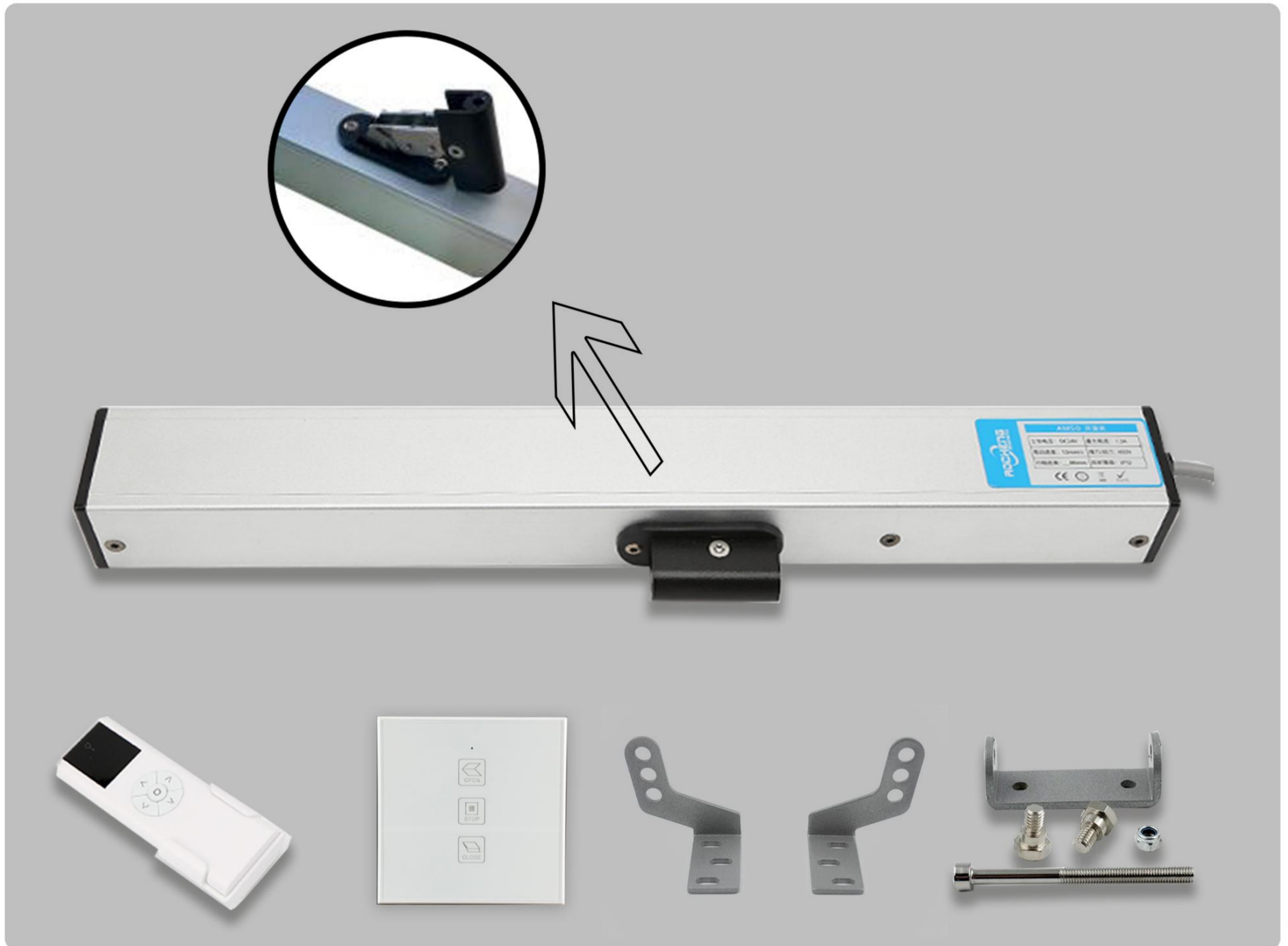
AM36

Opening Mode



AM50

CHAIN TYPE WINDOW OPENER



Technical Parameters

Voltage : 24VDC

Cut-off Current : 0.5A-1.3A

Push Force: 150N-600N

Pull Force : 150N-600N

Stroke : 100mm-1000mm

Speed: 15mm/s

Protection Class: IP32

- Wide Voltage Supply
- Obstacle Protection
- Build-in Receiver

Attention:

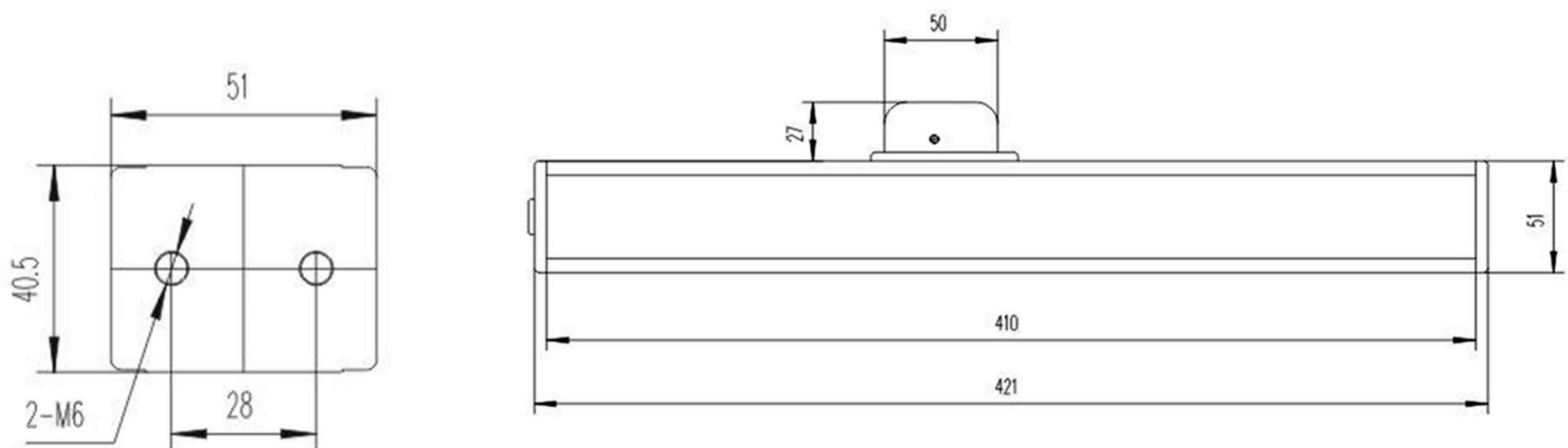
*This product can not be installed outside where will be wet by rain.

*24VDC power supply only.

AM50

CHAIN TYPE WINDOW OPENER

Motor Dimensions

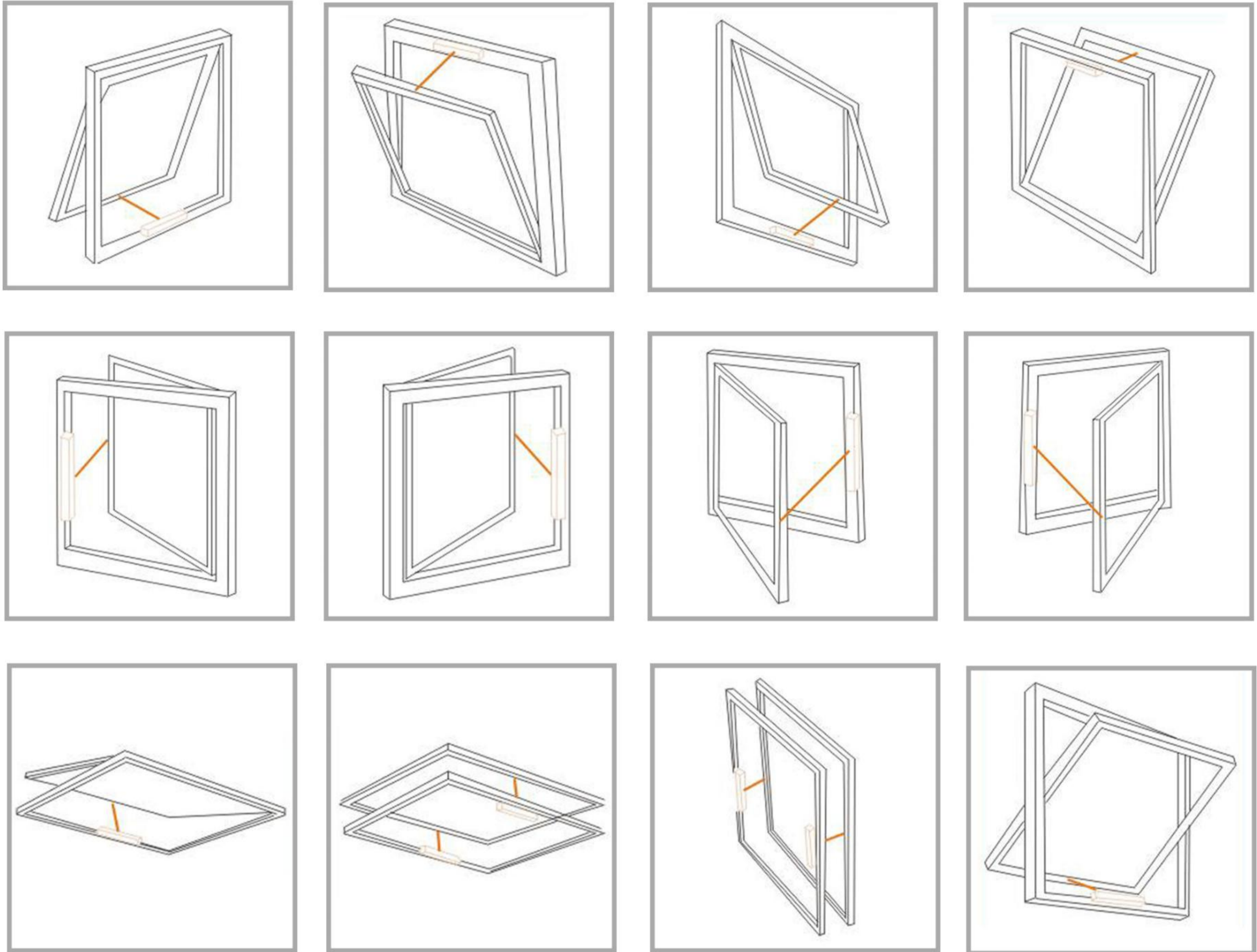


Product Features

- *When opening the window, the chain will go out and push the window to open.
- *When closing the window, the chain will come back and hide into the opener.
- *Full aluminum-alloy cover, small size, modern design.
- *Double chain, hard to break.
- *Rotating bracket, simple installation.
- *Overload protection.
- *Over 30,000 times for pushing and pulling test.
- *Suitable for upper hanging windows, lower hanging windows, middle hanging windows, dormers, etc.
- *When closed, the lock force can reach 2000N.
- *The stroke distance can be customized.
- *The cover color can be customized.

AM50

Opening Mode

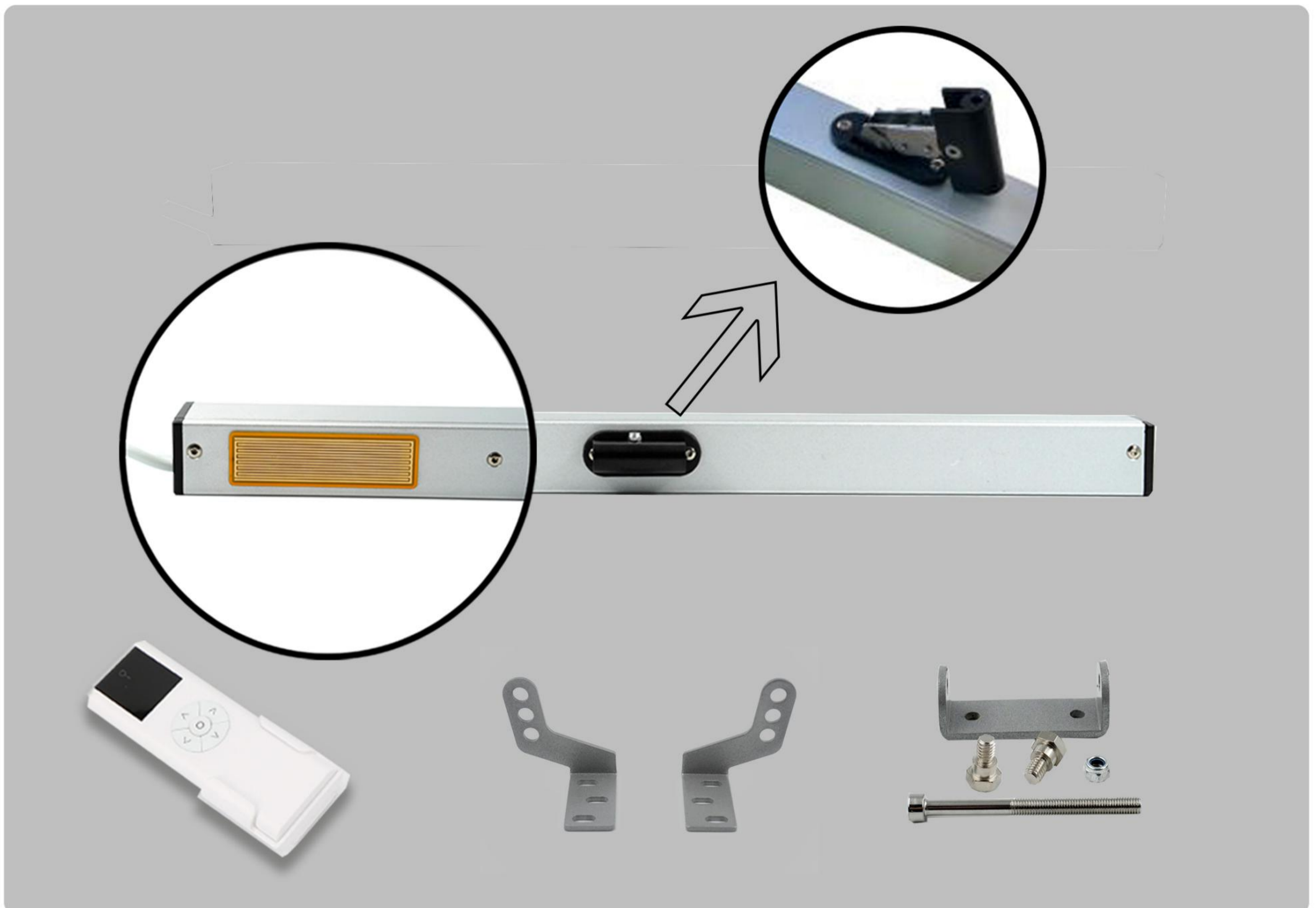


Installation Method



AM50

RAIN SENSOR-CHAIN TYPE WINDOW OPENER



Technical Parameters

Voltage : 110V-230V

Cut-off Current: 0.5A-1.3A

Push Force: 150N-600N

Pull Force : 150N-600N

Stroke : 100mm-1000mm

Speed: 15mm/s

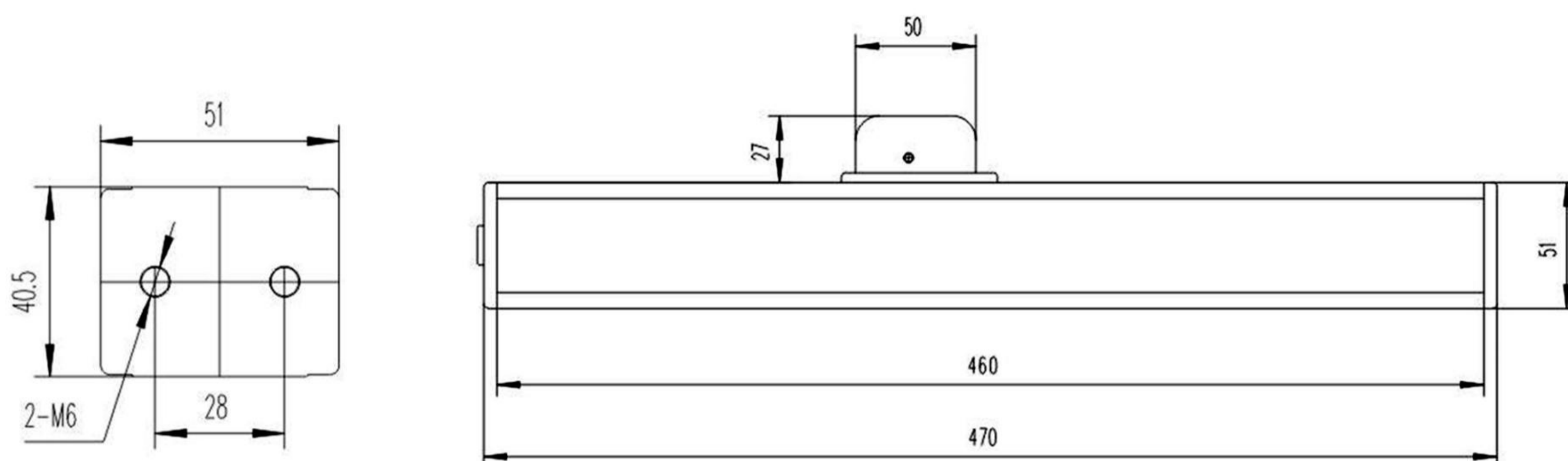
Protection Class: IP32

- Wide Voltage Supply
- Obstacle Protection
- Build-in Receiver

AM50

RAIN SENSOR-CHAIN TYPE WINDOW OPENER

Motor Dimensions

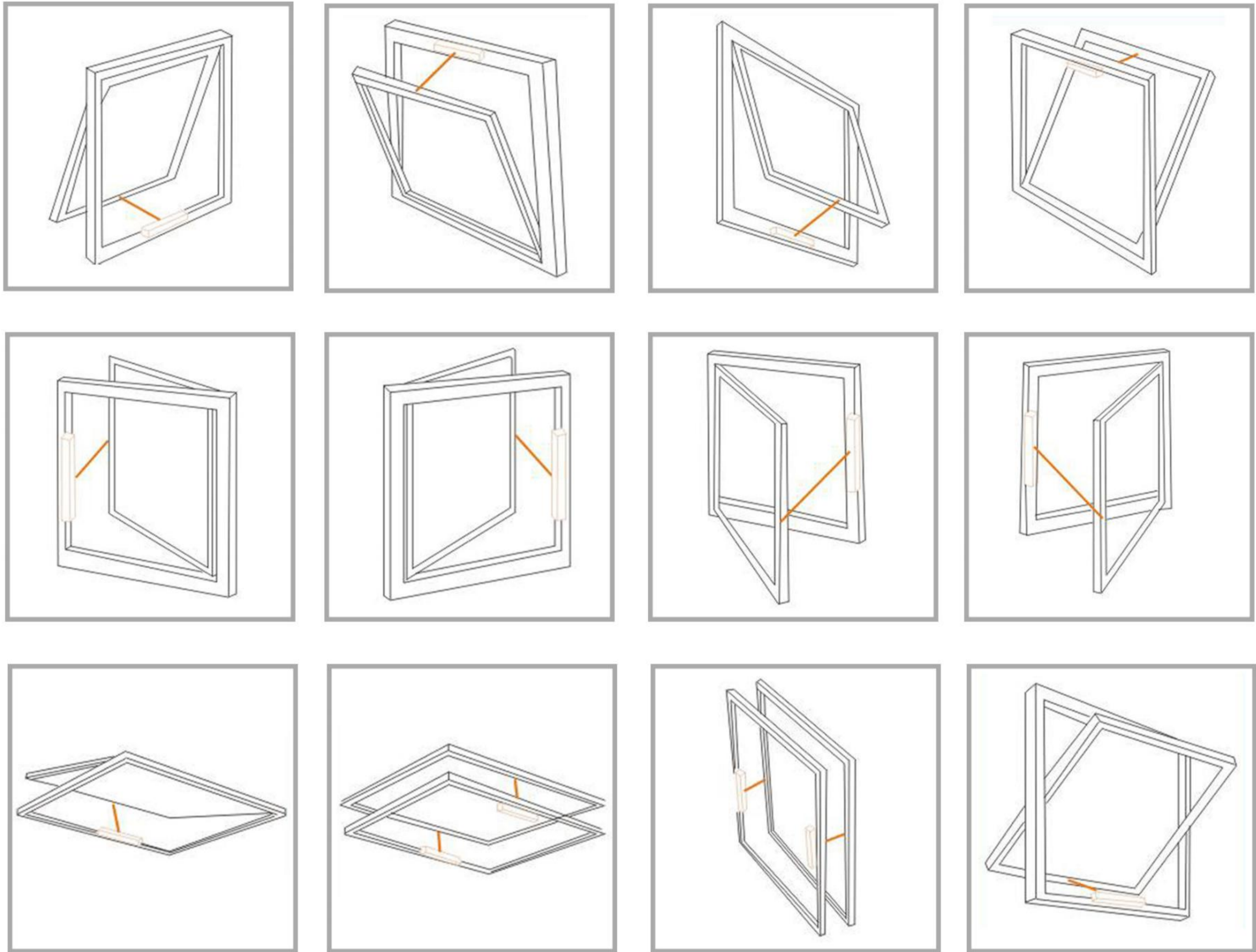


Product Features

- *When opening the window, the chain will go out and push the window to open.
- *When closing the window, the chain will come back and hide into the motor.
- *Full aluminum-alloy cover, small size, modern design.
- *Double chain, hard to break.
- *Rotating bracket, simple installation.
- *Overload protection.
- *Over 30,000 times for pushing and pulling test.
- *Suitable for upper hanging windows, lower hanging windows, middle hanging windows, dormers, etc.
- *When closed, the lock force can reach 2000N.
- *When the window is open in a rainy day, it will automatically close immediately once the rain drops on rain sensor.
- *The rain sensor is designed with multiple contacts and can be reused.
- *The stroke distance can be customized.
- *The cover color can be customized.

AM50

Opening Mode



Installation Method



AM65 DOOR/WINDOW OPENER



Technical Parameters

Voltage : 24VDC

Cut-off Current: 1A-1.3A

Push Force: 150N-1200N

Pull Force : 150N-1200N

Stroke : 100mm-1000mm

Speed: 8mm/s, 10mm/s

Protection Class: IP32



Attention:

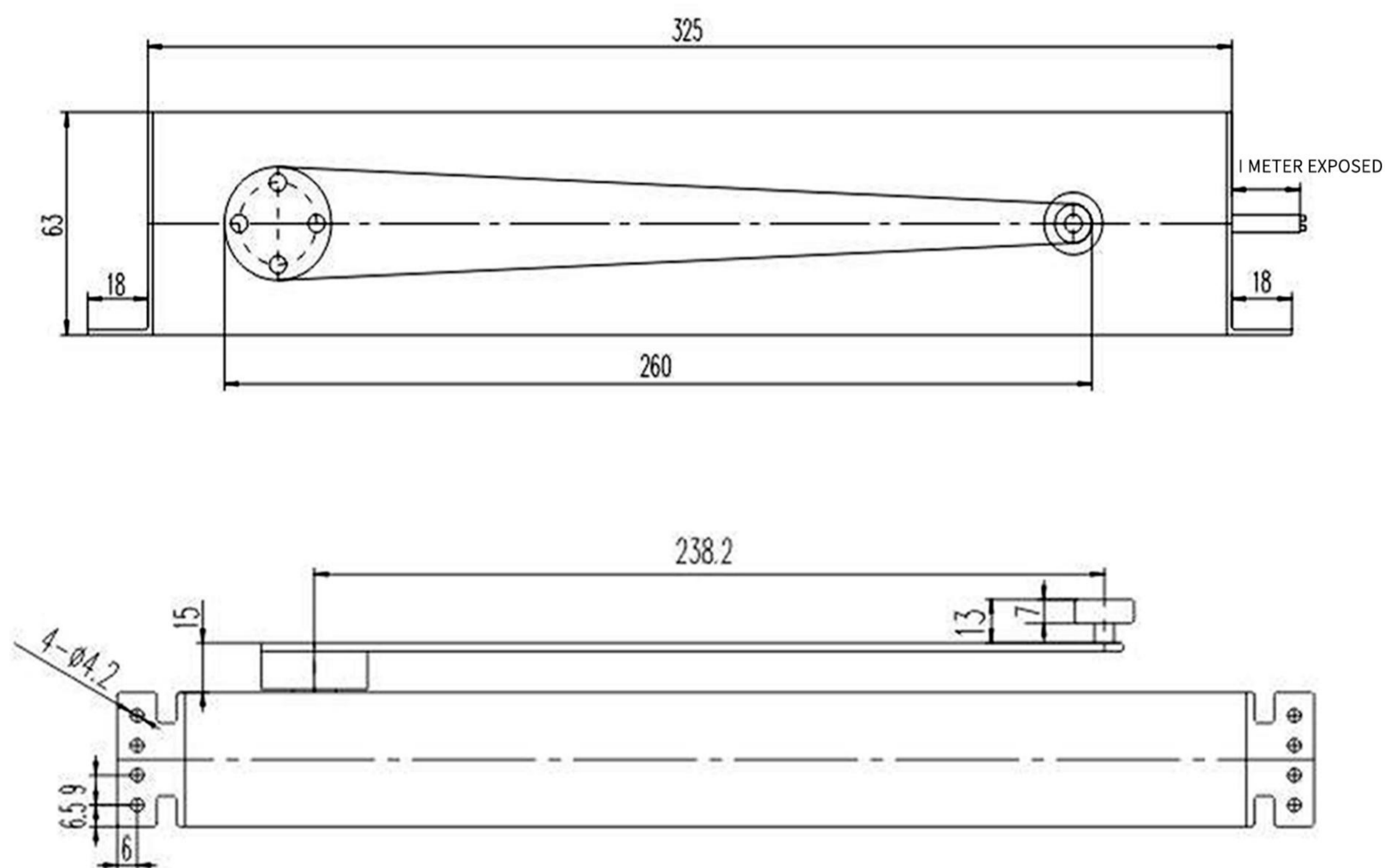
*This product can not be installed outside where will be wet by rain.

*24VDC power supply only.

AM65

DOOR/WINDOW OPENER

Motor Dimensions



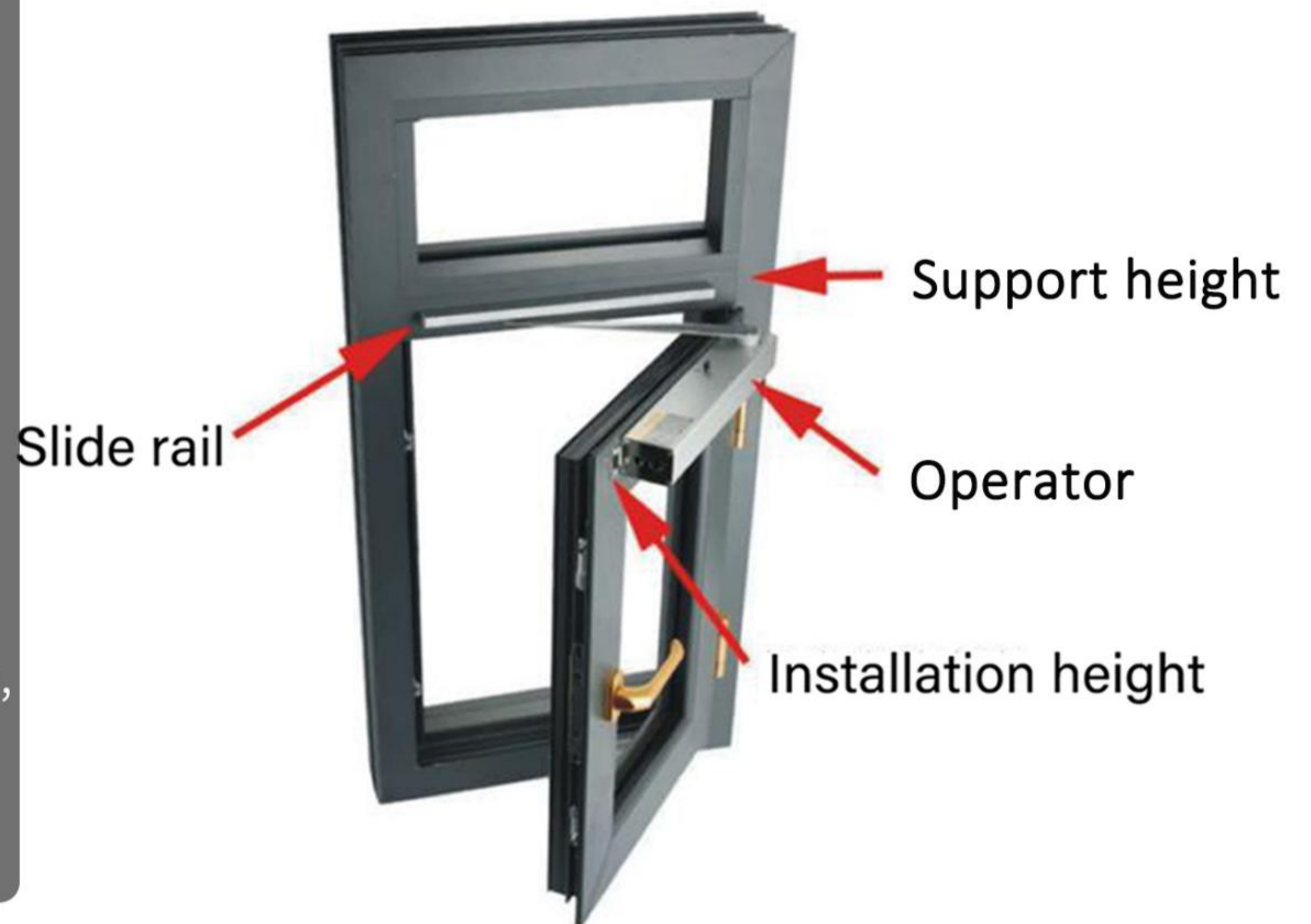
Product Features

- *When opening the window, the arm will rotate 360°, then stop automatically once reaching the setting position.
- *Beautiful and simple shape design.
- *Smooth output.
- *Suitable for various windows.
- *Low noise.
- *The arm is made of high-quality stainless steel.
- *Can be used with smart home control system.

AM65

Installation Method

1. Installation Position: inward opening or outside opening; upperside or downside.
2. Height of operator's installation (about 4CM).
3. Height of support's installation (about 3CM).
4. The windows with or without screens (with a screen, it only can be installed on outside opening window; Without a screen, it can be installed on both inward opening window and outside opening window.)



Opening Mode

