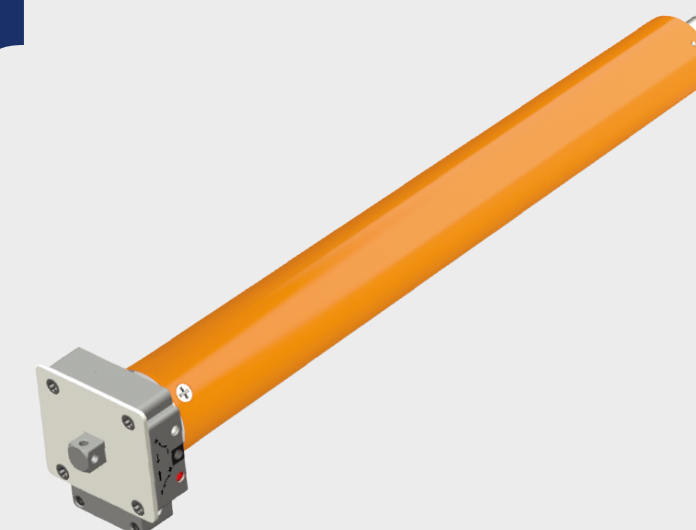


Tubular Motor



Art.Number: 16005



Technical Support

Tubular Motor With Standard Length



Motorized Roller Shutter with Normal Size

Tubular Motor With Short Length



Motorized Roller Shutter with Narrower Size

Tubular Motor With Extremely Short Length

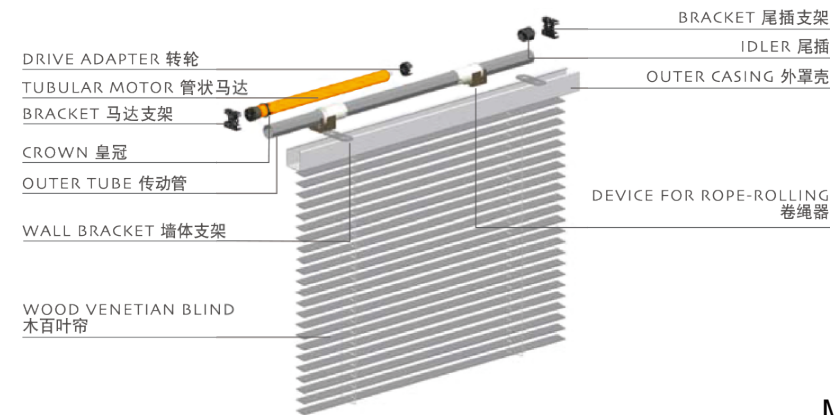


Motorized Project hanger

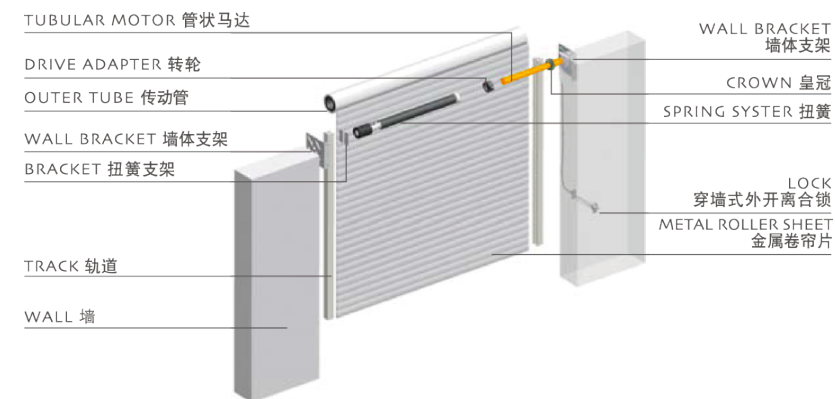
Motor with different lengths are available to meet your requests

Tubular Motor is a kind of motor, its shape from outside looks like a tube, so we call it Tubular Motor.

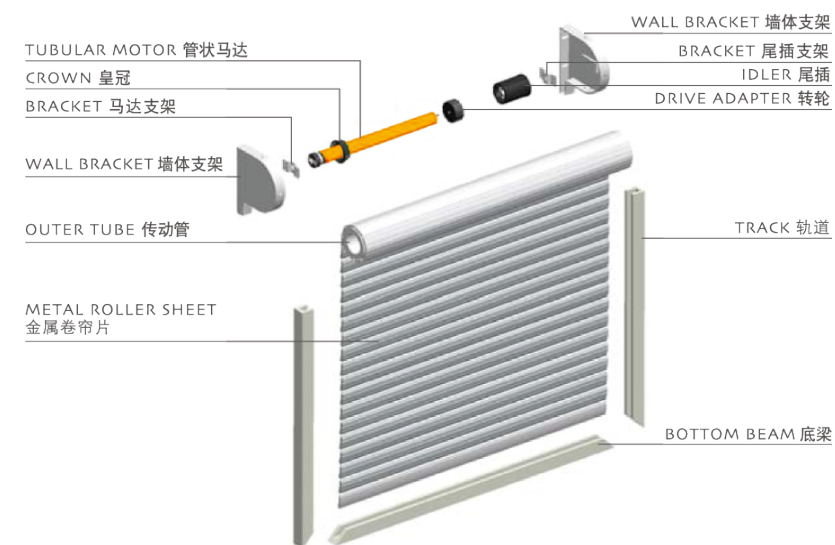
Tubular Motor is a new technology, with about 30 years developing history in the world. Now it is widely used for kinds of roller shutters, shutter windows and shutter doors, industrial doors, etc. SIMPLE is a professional factory that dedicated in big type tubular motors, especially the torque from 50N.m to 550N.m motors. SIMPLE produced tubular motors are widely sold to Europe, USA, Turkey, Mid-East, Asia, South-America etc. with a good reputation.



Motorized Wood Venetian Blind



Motorized Roller Door

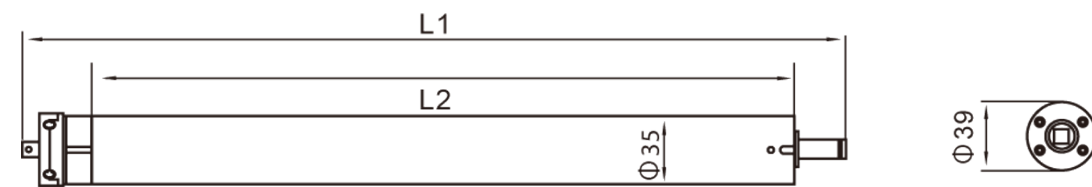


Motorized Roller Shutter

S

Standard

XP35S

Mechanic
Limit

35mm in diameter, 6Nm ~ 10N.m. Standard type. Stable quality with attractive prices. CE, CCC and TUV approved. Ideal for rolling blind and awning, screen etc.

 Technical Specifications

	Rated torque (Nm)	Rated voltage (V)	Rated frequency (Hz)	Rated power input (W)	Tube diameter (mm)	Rated current (A)	Running time (min)	Rated speed (rpm)	Protection index (IP)	Insulation class
XP35S	6N.m	230V	50HZ	155W	35mm	0.68A	S2 4min	17rpm	Ip44	Class F
Standard	10N.m	230V	50HZ	165W	35mm	0.71A	S2 4min	17rpm	Ip44	Class F

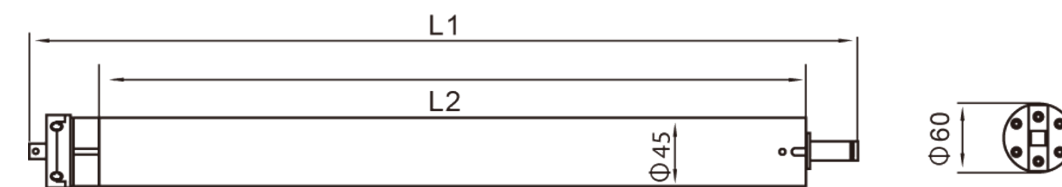
▲ 110V/60HZ is also available; please ask our sales team for details.

S

Standard

Mechanic
Limit

XP45S/SR



45mm in diameter, 10Nm ~ 60N.m. Standard type/built-in receiver type. Stable quality with attractive prices. CE, CCC and TUV approved. Ideal for rolling blind and screen, awning, rolling shutter etc.

 Technical Specifications

	Rated torque (Nm)	Rated voltage (V)	Rated frequency (Hz)	Rated power input (W)	Tube diameter (mm)	Rated current (A)	Running time (min)	Rated speed (rpm)	Protection index (IP)	Insulation class
XP45S/SR Standard/ built-in receiver	10N.m	230V	50HZ	155W	45mm	0.70A	S2 4min	15rpm	Ip44	Class F
	20N.m	230V	50HZ	168W	45mm	0.75A	S2 4min	15rpm	Ip44	Class F
	20N.m	230V	50HZ	238W	45mm	1.05A	S2 4min	28rpm	Ip44	Class F
	30N.m	230V	50HZ	203W	45mm	0.88A	S2 4min	15rpm	Ip44	Class F
	40N.m	230V	50HZ	238W	45mm	1.05A	S2 4min	15rpm	Ip44	Class F
	50N.m	230V	50HZ	262W	45mm	1.20A	S2 4min	12rpm	Ip44	Class F
	60N.m	230V	50HZ	262W	45mm	1.25A	S2 4min	10rpm	Ip44	Class F

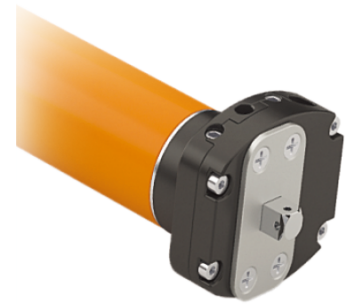
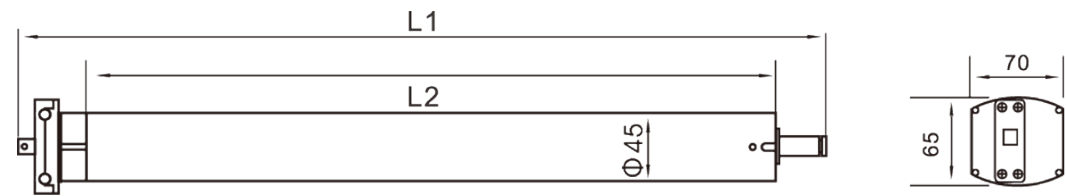
▲ 110V/60HZ is also available; please ask our sales team for details.

M

Manual

Mechanic
Limit + Manual

XP45M/MR



45mm in diameter, 10Nm ~ 60N.m. Manual override type/built-in receiver type. Smaller and thinner bottom base, easier for installation, stable quality. CE, CCC and TUV approved. Ideal for rolling blind and screen, awning, rolling shutter etc.

✓ Technical Specifications

	Rated torque (Nm)	Rated voltage (V)	Rated frequency (Hz)	Rated power input (W)	Tube diameter (mm)	Rated current (A)	Running time (min)	Rated speed (rpm)	Protection index (IP)	Insulation class
XP45M/MR Manual/ built-in receiver	10N.m	230V	50HZ	155W	45mm	0.70A	S2 4min	15rpm	Ip44	Class F
	20N.m	230V	50HZ	168W	45mm	0.75A	S2 4min	15rpm	Ip44	Class F
	20N.m	230V	50HZ	238W	45mm	1.05A	S2 4min	28rpm	Ip44	Class F
	30N.m	230V	50HZ	203W	45mm	0.88A	S2 4min	15rpm	Ip44	Class F
	40N.m	230V	50HZ	238W	45mm	1.05A	S2 4min	15rpm	Ip44	Class F
	50N.m	230V	50HZ	262W	45mm	1.20A	S2 4min	12rpm	Ip44	Class F
	60N.m	230V	50HZ	262W	45mm	1.25A	S2 4min	10rpm	Ip44	Class F

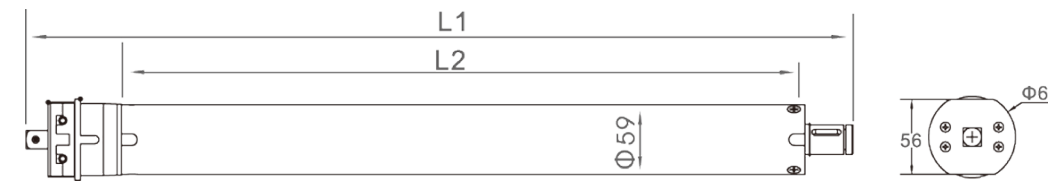
▲ 110V/60HZ is also available; please ask our sales team for details.

S

Standard

Mechanic
Limit

XP59S/SR



59mm in diameter, 80Nm ~ 150N.m. Standard type /built-in receiver type. Stable quality with attractive prices. CE, CCC and TUV approved. Ideal for awning, rolling shutter etc.

✓ Technical Specifications

	Rated torque (Nm)	Rated voltage (V)	Rated frequency (Hz)	Rated power input (W)	Tube diameter (mm)	Rated current (A)	Running time (min)	Rated speed (rpm)	Protection index (IP)	Insulation class
XP59S/SR Standard/ built-in receiver	80N.m	230V	50HZ	330W	59mm	1.45A	S2 4min	12rpm	Ip44	Class F
	100N.m	230V	50HZ	350W	59mm	1.55A	S2 4min	12rpm	Ip44	Class F
	120N.m	230V	50HZ	365W	59mm	1.60A	S2 4min	12rpm	Ip44	Class F
	140N.m	230V	50HZ	380W	59mm	1.74A	S2 4min	9rpm	Ip44	Class F
	150N.m	230V	50HZ	395W	59mm	1.78A	S2 4min	9rpm	Ip44	Class F

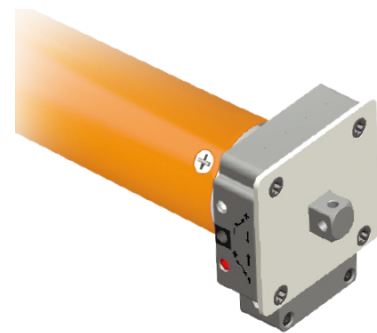
▲ 110V/60HZ is also available; please ask our sales team for details.

M

Manual

XP59M/MR

Mechanic
Limit + Manual



59mm in diameter, 80Nm ~ 180N.m. Manual override type/built-in receiver type. Stable quality with attractive prices. CE, CCC and TUV approved. Ideal for awning, rolling shutter etc.

✓ Technical Specifications

	Rated torque (Nm)	Rated voltage (V)	Rated frequency (Hz)	Rated power input (W)	Tube diameter (mm)	Rated current (A)	Running time (min)	Rated speed (rpm)	Protection index (IP)	Insulation class
XP59M/MR Manual/ built-in receiver	80N.m	230V	50HZ	330W	59mm	1.45A	S2 4min	12rpm	Ip44	Class H
	100N.m	230V	50HZ	350W	59mm	1.55A	S2 4min	12rpm	Ip44	Class H
	120N.m	230V	50HZ	365W	59mm	1.60A	S2 4min	12rpm	Ip44	Class H
	140N.m	230V	50HZ	380W	59mm	1.74A	S2 4min	9rpm	Ip44	Class H
	150N.m	230V	50HZ	395W	59mm	1.78A	S2 4min	9rpm	Ip44	Class H
	160N.m	230V	50HZ	520W	59mm	2.40A	S2 4min	9rpm	Ip44	Class H
	180N.m	230V	50HZ	540W	59mm	2.58A	S2 4min	7rpm	Ip44	Class H

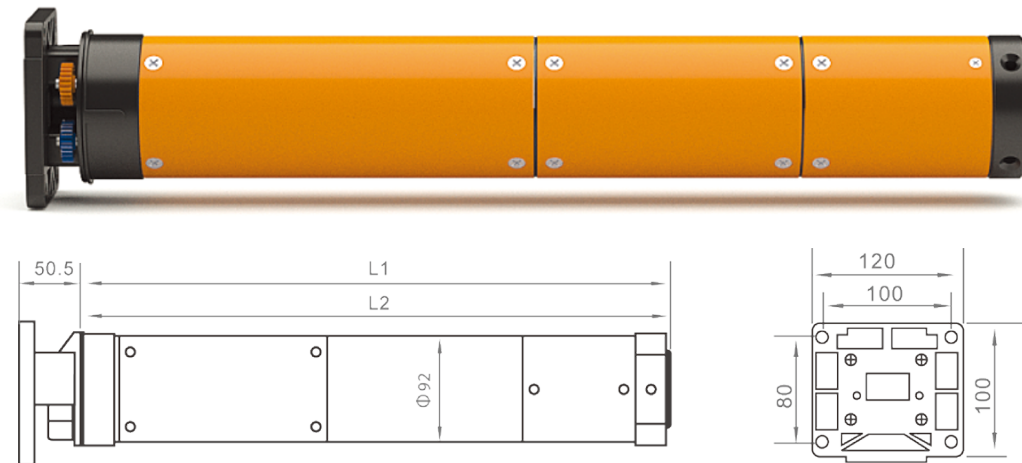
▲ 110V/60HZ is also available; please ask our sales team for details.

S

Standard

Mechanic
Limit

XP92S



92mm in diameter, 170Nm ~ 550N.m. Standard type. Gears type limit switch, smaller and thinner bottom base, easier for installation, stable quality. CE, CCC and TUV approved. Ideal for rolling shutter etc.

✓ Technical Specifications

	Rated torque (Nm)	Rated voltage (V)	Rated frequency (Hz)	Rated power input (W)	Tube diameter (mm)	Rated current (A)	Running time (min)	Rated speed (rpm)	Protection index (IP)	Insulation class
XP92S Standard	170N.m	230V	50HZ	830W	92mm	3.60A	S2 4min	16rpm	Ip44	Class H
	180N.m	230V	50HZ	820W	92mm	3.55A	S2 4min	12rpm	Ip44	Class H
	230N.m	230V	50HZ	870W	92mm	3.80A	S2 4min	12rpm	Ip44	Class H
	300N.m	230V	50HZ	850W	92mm	3.70A	S2 4min	10rpm	Ip44	Class H
	330N.m	230V	50HZ	875W	92mm	3.80A	S2 4min	10rpm	Ip44	Class H
	300N.m	230V	50HZ	800W	92mm	3.50A	S2 4min	9rpm	Ip44	Class H
	330N.m	230V	50HZ	830W	92mm	3.60A	S2 4min	9rpm	Ip44	Class H
	350N.m	230V	50HZ	850W	92mm	3.70A	S2 4min	9rpm	Ip44	Class H
	400N.m	230V	50HZ	920W	92mm	4.00A	S2 4min	7rpm	Ip44	Class H
	450N.m	230V	50HZ	940W	92mm	4.20A	S2 4min	7rpm	Ip44	Class H
	500N.m	230V	50HZ	990W	92mm	4.30A	S2 4min	6rpm	Ip44	Class H
	550N.m	230V	50HZ	1020W	92mm	4.40A	S2 4min	6rpm	Ip44	Class H

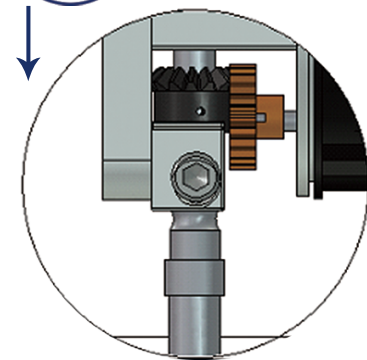
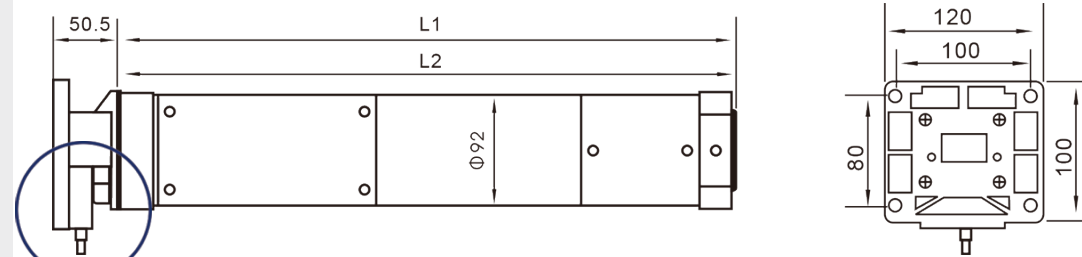
▲ 110V/60HZ is also available; please ask our sales team for details.

M

Manual

XP92M **NEW**

Mechanic
Limit + Manual



When the power supply is available, pull the override shaft out

92mm in diameter, 170Nm ~ 550N.m. Manual override type, New style. Gears type limit switch, smaller and thinner bottom base, easier for installation, stable quality. CE, CCC and TUV approved. Ideal for rolling shutter etc.

✓ Technical Specifications

	Rated torque (Nm)	Rated voltage (V)	Rated frequency (Hz)	Rated power input (W)	Tube diameter (mm)	Rated current (A)	Running time (min)	Rated speed (rpm)	Protection index (IP)	Insulation class
XP92M New Manual	170N.m	230V	50HZ	830W	92mm	3.60A	S2 4min	16rpm	Ip44	Class H
	180N.m	230V	50HZ	820W	92mm	3.55A	S2 4min	12rpm	Ip44	Class H
	230N.m	230V	50HZ	870W	92mm	3.80A	S2 4min	12rpm	Ip44	Class H
	300N.m	230V	50HZ	850W	92mm	3.70A	S2 4min	10rpm	Ip44	Class H
	330N.m	230V	50HZ	875W	92mm	3.80A	S2 4min	10rpm	Ip44	Class H
	300N.m	230V	50HZ	800W	92mm	3.50A	S2 4min	9rpm	Ip44	Class H
	330N.m	230V	50HZ	830W	92mm	3.60A	S2 4min	9rpm	Ip44	Class H
	350N.m	230V	50HZ	850W	92mm	3.70A	S2 4min	9rpm	Ip44	Class H
	400N.m	230V	50HZ	920W	92mm	4.00A	S2 4min	7rpm	Ip44	Class H
	450N.m	230V	50HZ	940W	92mm	4.20A	S2 4min	7rpm	Ip44	Class H
	500N.m	230V	50HZ	990W	92mm	4.30A	S2 4min	6rpm	Ip44	Class H
	550N.m	230V	50HZ	1020W	92mm	4.40A	S2 4min	6rpm	Ip44	Class H

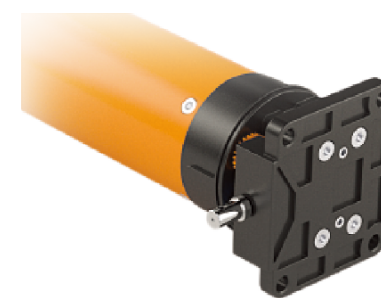
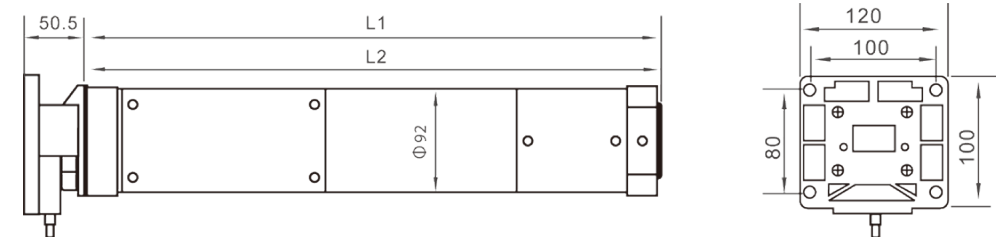
▲ 110V/60HZ is also available; please ask our sales team for details.

M

Manual

Mechanic
Limit

XP92M **Latest**



92mm in diameter, 170Nm ~ 550N.m. Manual override type, Latest style. Gears type limit switch, smaller and thinner bottom base, easier for installation, stable quality. No need to push in when use manual override. CE, CCC and TUV approved. Ideal for rolling shutter etc.

✓ Technical Specifications

	Rated torque (Nm)	Rated voltage (V)	Rated frequency (Hz)	Rated power input (W)	Tube diameter (mm)	Rated current (A)	Running time (min)	Rated speed (rpm)	Protection index (IP)	Insulation class
XP92M Latest Manual	170N.m	230V	50HZ	830W	92mm	3.60A	S2 4min	16rpm	Ip44	Class H
	180N.m	230V	50HZ	820W	92mm	3.55A	S2 4min	12rpm	Ip44	Class H
	230N.m	230V	50HZ	870W	92mm	3.80A	S2 4min	12rpm	Ip44	Class H
	300N.m	230V	50HZ	850W	92mm	3.70A	S2 4min	10rpm	Ip44	Class H
	330N.m	230V	50HZ	875W	92mm	3.80A	S2 4min	10rpm	Ip44	Class H
	300N.m	230V	50HZ	800W	92mm	3.50A	S2 4min	9rpm	Ip44	Class H
	330N.m	230V	50HZ	830W	92mm	3.60A	S2 4min	9rpm	Ip44	Class H
	350N.m	230V	50HZ	850W	92mm	3.70A	S2 4min	9rpm	Ip44	Class H
	400N.m	230V	50HZ	920W	92mm	4.00A	S2 4min	7rpm	Ip44	Class H
	450N.m	230V	50HZ	940W	92mm	4.20A	S2 4min	7rpm	Ip44	Class H
	500N.m	230V	50HZ	990W	92mm	4.30A	S2 4min	6rpm	Ip44	Class H
	550N.m	230V	50HZ	1020W	92mm	4.40A	S2 4min	6rpm	Ip44	Class H

▲ 110V/60HZ is also available; please ask our sales team for details.